

## HIGHLIGHTS

- ❖ 30X Optical Zoom
- ❖ Accurate and Fast Focusing
- ❖ Optical glass window with higher light transmittance
- ❖ IR anti-reflection window to increase the infrared transmittance
- ❖ DWDR (Wide Dynamic Range)



---

## Camera Features

- ❖ Built-in IR (infrared) Illuminators, 150m (492ft) IR distance
- ❖ Ultra 265, H.265, H.264, MJPEG
- ❖ Embedded video analytics function
- ❖ Triple streams
- ❖ Customized OSD
- ❖ ONVIF (Open Network Video Interface Forum) conformance software that ensures greater interoperability and more flexibility in building multiple-vendor systems
- ❖ Innovative snow-removing functionality
- ❖ IP66-rated water-resistant/dust-tight feature especially design to battle bad and dusty weather
- ❖ Effective Temperature Control Technology
- ❖ Competent heat dissipation
- ❖ Built-in network surge protection to 6 KV

## Specifications

### IMAGING

Sensor	1/2.8" progressive scan, 2 megapixel, CMOS
Focus/Zoom	4.5 ~ 135 mm (30x optical zoom) AF automatic focusing and motorized zoom lens
Angle of View(H)	56.7° (wide) ~ 2.8° (tele)
Iris	Auto/Manual, F1.5 ~ F4.0
Shutter	Auto/Manual, shutter time: 1/6 s ~ 1/100000 s
Min. Illumination	Colour: 0.03lux (F1.6, AGC ON) 0 lux with IR
S/N	>52dB
Day/Night	IR-cut filter with auto switch (ICR)
Digital Noise Reduction	2D/3D DNR
WDR	DWDR
IR Range	Up to 150M (492Ft)
Defog	Digital Defog

### VIDEO

Max. Resolution	1920 × 1080
Video Compression	Ultra 265, H.265, H.264, MJPEG
H.264 Code Profile	Baseline Profile, Main Profile, High Profile
Frame Rate	Main Stream 2MP (1920×1080):Max.30 Sub Stream (1920×1080): Max. 30 fps; Third Stream (720*576): Max. 30 fps
Video Streaming	Triple
OSD	Up to 8 OSD's
Privacy Mask	Up to 8 areas
Digital Zoom	Supported
HLC	Supported
BLC	Supported
EIS	Supported
ROI	Up to 8 areas

Motion Detection Up to 4 areas

### VIDEO ANALYTICS

Behavior Detection	Intrusion, crossing line, motion detection
Exception Detection	Audio detection
Intelligent Identification	Face detection
Statistical Analysis	People counting
General Function	Watermark, Ip Addressing, Tampering Alarm, Alarm Input, Alarm Output, Access Policy, ARP Protection, RTSP Authentication, User Authentication

### STORAGE

Edge Storage	Micro SD, up to 128 GB
Network Storage	ANR

### INTERFACES & CONTROL

Protocols	IPv4, IGMP, ICMP, ARP, TCP, UDP, DHCP, PPPoE, RTP, RTSP, RTCP, DNS, DDNS, NTP, FTP, UPnP, HTTP, HTTPS, SMTP, 802.1x
Compatible Integration	ONVIF (Profile S, Profile G), API
Pan Range	360° (endless)
Pan Speed	0.1°/s ~ 240°/s
Tilt Range	-15° ~ +90° (auto invert)
Tilt Speed	0.1° ~ 160°/s
Number of Preset	Preset speed: 240°/s 1024
Patrol	Up to 32 Preset per patrol, Up to 16 patrols, NOTE: Total Patrol and patterns= 16,
Home Position	Supported
Audio Compression	G.711

Two-way audio	Supported
Suppression	Supported
Sampling Rate	8 KHz
	Audio Cable
Audio I/O	Input: impedance 35 k $\Omega$ ; amplitude 2 V [p-p]
	Output: impedance 600 $\Omega$ ; amplitude 2 V [p-p]
Alarm I/O	1 / 1
Network	1-RJ45, 10M/100M Base-TX Ethernet

#### POWER

Power Requirement	24 V AC $\pm$ 25%, 24V DC $\pm$ 25%, PoE (PSE Required)
	Power consumption: 9 W ~ 42 W

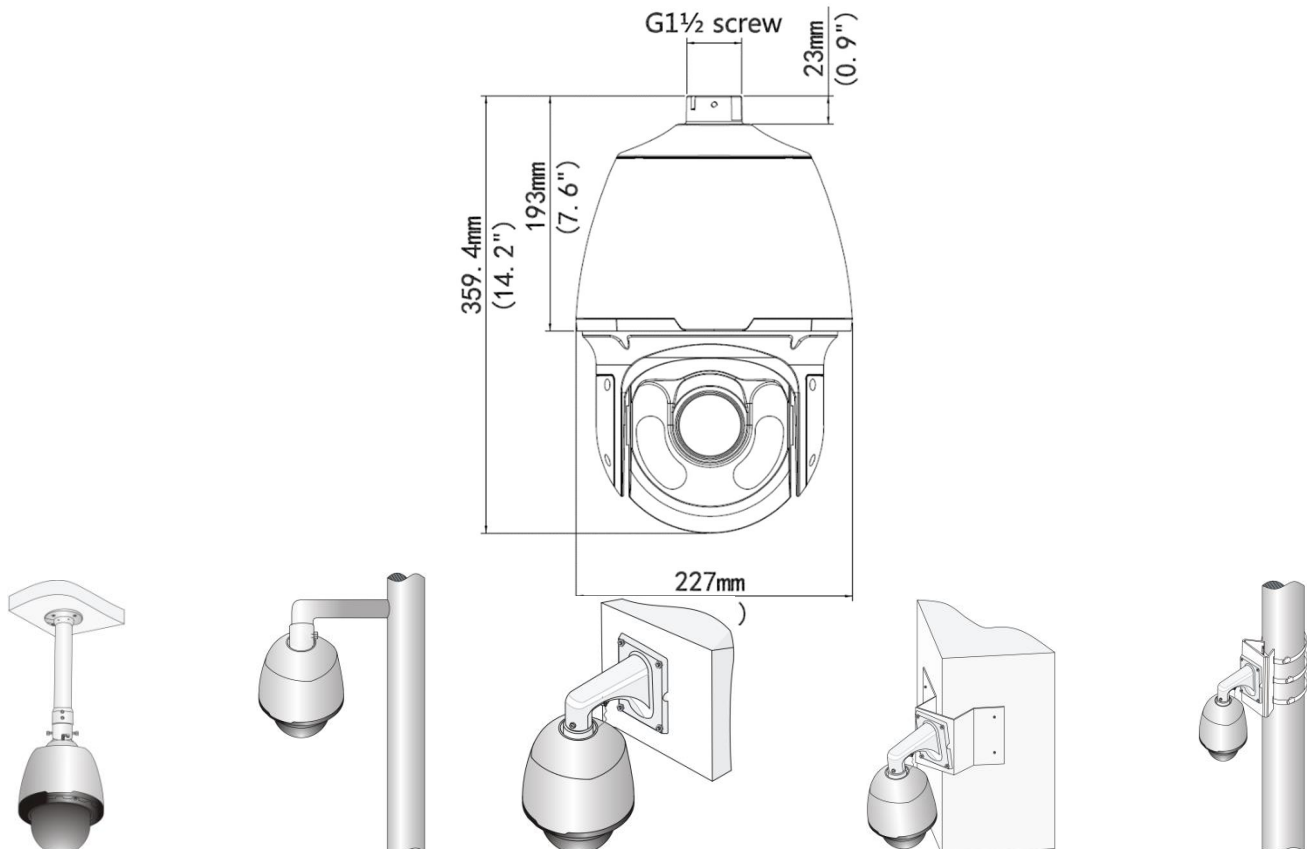
#### PHYSICAL

Dimensions ( $\varnothing$ x H)	$\varnothing$ 227 mm x 359.4 mm ( $\varnothing$ 8.9" x 14.2")
Weight	5.28 kg (11.6 lb)

#### ENVIRONMENTAL

Working Environment	-40 $^{\circ}$ C ~ +65 $^{\circ}$ C (-40 $^{\circ}$ F ~ 149 $^{\circ}$ F), Humidity $\leq$ 95% RH(non-condensing)
Ingress Protection	IP66

## Dimensions



### Accessories

Installation mode	Accessories	Description
Pendant mount	EC-PM45-IN bracket Pendant components: EC-PM45-A-IN ceiling plate EC-PMR45-IN pendant rod (200mm) EC-PMR45-A-IN pendant rod (500mm)	/  Ceiling plate is optional with different pendant rod for various applications
Standing pole mount	Customized bracket	The interface is designed with internal G1½ screws. The screw depth must be more than 23 mm.
Wall mount	EC-WM45-IN bracket, EC-WM45-A-IN bracket	
Corner mount	EC-WM45-IN bracket + EC-CM08-A/B-IN EC-WM45-A-IN bracket + EC-CM08-A/B-IN	
Pole mount	EC-WM45-IN bracket + EC-PM08-A/B-IN EC-WE45-A-IN bracket + EC-PM08-A/B-IN	
PSE Adapter	PWR-DC5611-P	PSE Adapter 60W Configuration is Needed

### ECSI International, Inc.

790 Bloomfield Avenue, Bldg. C-1

Clifton, NJ USA 07012

Voice 973-574-8555

FAX 973-574-8562

[www.ecsiinternational.com](http://www.ecsiinternational.com)

ISO 9001:2000 Registered