

HIGHLIGHTS

- ❖ Day/night functionality
- ❖ IK10 vandal resistant protection against a 5Kg object dropped from 40cm
- ❖ 3D DNR (Digital Noise Reduction)
- ❖ Built-in Motorized Lens



Camera Features

- ❖ Built-in IR (infrared), up to 30m (98 ft) IR distance
- ❖ Up to 120 dB WDR (Wide Dynamic Range)
- ❖ H.265, H.264, MJPEG
- ❖ Embedded video analytics function
- ❖ Triple streams
- ❖ ROI (Region of Interest)
- ❖ ONVIF (Open Network Video Interface Forum) conformance software that ensures greater interoperability and more flexibility in building multiple-vendor systems
- ❖ PoE Power Supply Supported
- ❖ Built-in PoE splitter that outputs DC 12V
- ❖ Effective Temperature Control Technology
- ❖ Wide voltage range of $\pm 25\%$
- ❖ IP66-rated water-resistant/dust-tight feature especially design to battle bad and dusty weather
- ❖ IK10 vandal resistant
- ❖ IP66

Specifications

IMAGING

Sensor	1/3", 4.0 megapixel, progressive scan CMOS
Shutter	Auto/Manual, 1/6~1/8000 s
Lens	2.8 mm~12 @ F1.6; Angle of view(H): 105° (W) ~30°
Zoom/Focus	Motor drive
Min. Illumination	Colour: 0.02 Lux (F1.6, AGC ON) 0 Lux with IR
Day/Night	IR-cut filter with auto switch (ICR)
S/N	>52dB
WDR	Up to 120dB

VIDEO

Max. Resolution	2592 X 1520
Video Compression	H.265, H.264 MJPEG
Frame Rate	4MP (2592×1520): @ 20 fps; 4MP (2560×1440): @ 25 fps 3MP (2048×1520): @ 30 fps; 1080P (1920×1080): @ 25 fps
9:16 Corridor Mode	Supported
ROI	Supported
Video Streaming	Triple
OSD	Up to 8 OSDs
Privacy Mask	Supported

STORAGE

Edge Storage	Micro SD, up to 128 GB
--------------	------------------------

INTERFACES & CONTROL

Protocols	L2TP, IPv4, IGMP, ICMP, ARP, TCP, UDP, DHCP, PPPoE, RTP, RTSP, NTP, FTP, HTTP, SNMP,
-----------	--

Compatible Integration	SIP, 802.1x ONVIF, API
Audio Compression	G.711
Two-way audio	Supported
Audio I/O	Input: impedance 35 kΩ; amplitude 2 V [p-p] Output: impedance 600 Ω; amplitude 2 V [p-p]
Audio I/O	1/1
Network	1 - RJ45 10M/100M Base-TX Ethernet
Video Output	1 BNC, impedance 75 Ω; amplitude 1 V [p-p]
Power Out	DC12V Power Output with PoE
Reset	1 Reset Button

POWER

Power	12 V DC, or PoE (IEEE802.3 af) Power consumption: 4.5W, Max 8.7W
-------	---

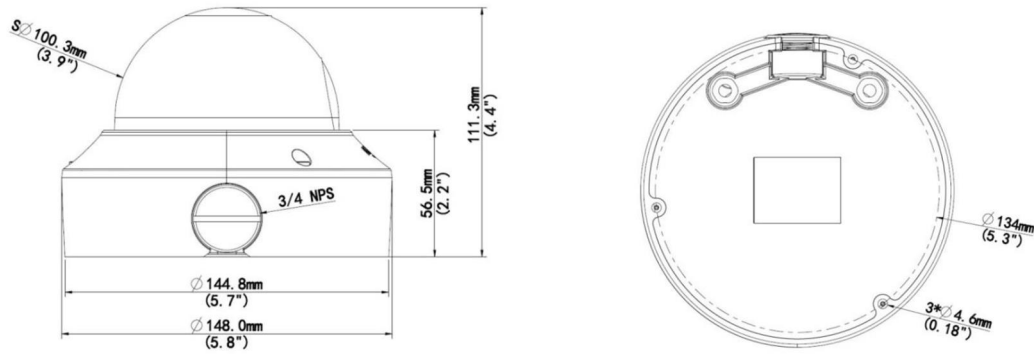
PHYSICAL

Dimensions (Ø x H)	Φ148 x 111.3 mm (Ø5.8" x 4.4")
Weight	0.75 kg (1.7 lb)

ENVIRONMENTAL

Working Environment	-40°C ~ +60°C (-40°F ~ 140°F), Humidity ≤ 95% RH(non-condensing)
Vandal Resistant	IK10 - Protection against a 5Kg object dropped from 40cm
Ingress Protection	IP66

Dimensions



Accessories

Installation mode

Ceiling mount

Accessories

Mounting pedestal is included in the product package

Description

For indoor ceiling installation

ECSI International, Inc.

790 Bloomfield Avenue, Bldg. C-1

Clifton, NJ USA 07012

Voice 973-574-8555

FAX 973-574-8562

www.ecsiinternational.com

ISO 9001:2000 Registered